

Z-Arm Mixer with tiltable hopper

MIX-300Z

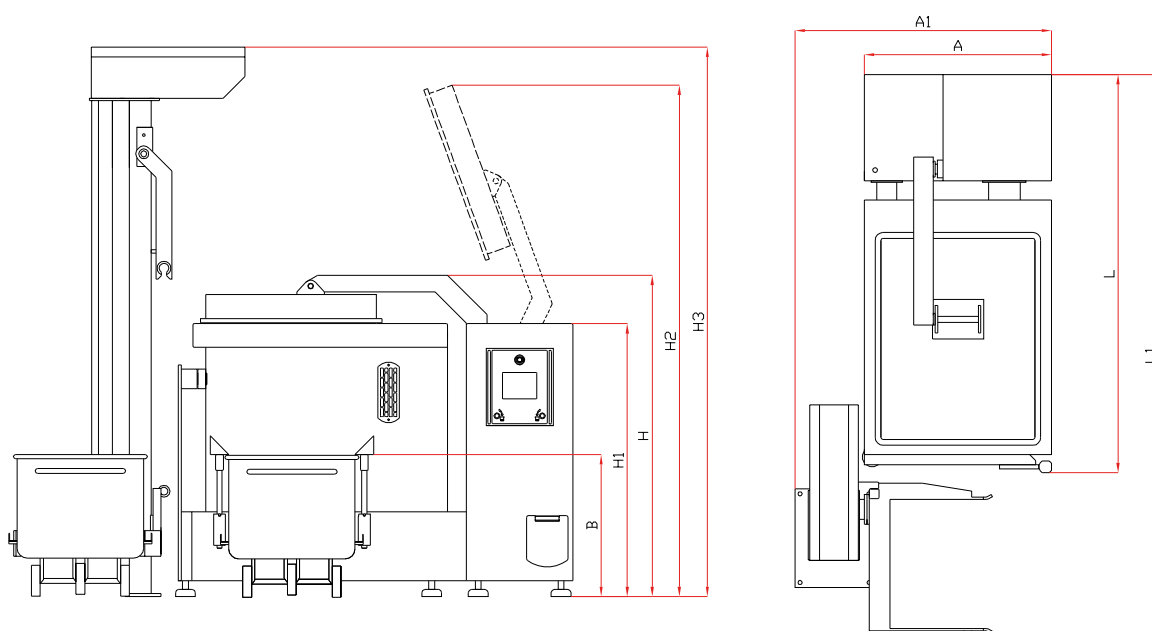
MIX-300ZV



MIX-300Z

	MIX-300Z	MIX-300ZV
Total capacity [L]	300	300
Max filling [L]	180	180
Installed Power [kW]	9,0	9,7
Loader option	PW-2/250	PW-2/250
Vacuum pump	-	BUSCH 21m3/h
Column Loader power [kW]	0,75	0,75
Standard control	PLC and HMI	PLC and HMI
Shaft rotation speed [rpm]	5 - 48 variable speed	5 - 48 variable speed
Mixer net weight [kg]	1100	1180
Unloading to bin DIN 9797	200 l	200 l
Openning/closing lids	hydraulically	hydraulically

www.nadratowski.com



L [cm]	L1[cm]	A [cm]	A1 [cm]	H [cm]	H1 [cm]	H2 [cm]	H3 [cm]	B [cm]
202	290	96	130	163	140	260	268	72±2

